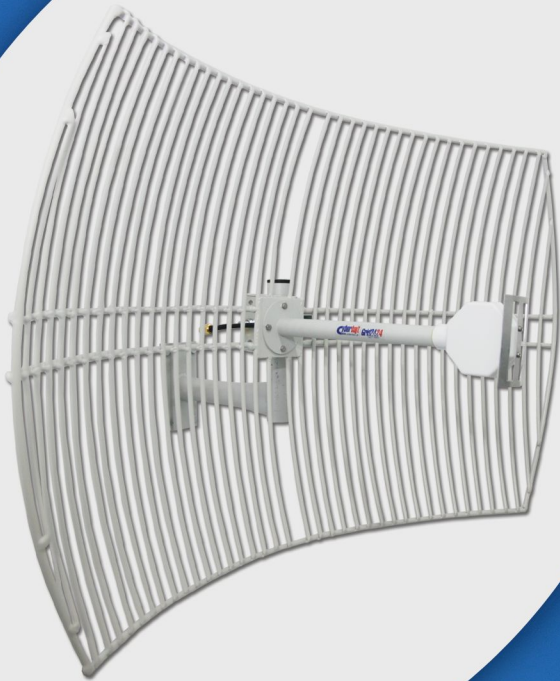




grid antenna

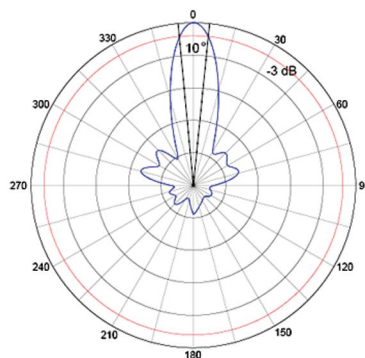
Grid 2424



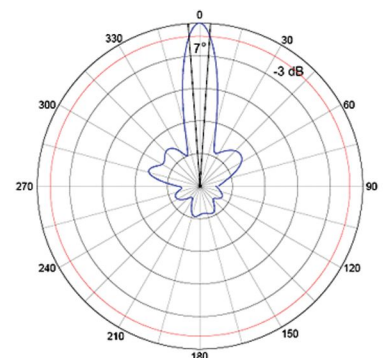
Grid antenna of 24 dBi gain and vertical or horizontal polarization, designed to work on 2,4 GHz band.

High wind loading of the Grid 2424 is particularly useful in places which are exposed to frequent and strong blast of wind.

Horizontal
Beamwidth



Vertical
Beamwidth



antennas
2.4 GHz client



grid antenna

Grid 2424

specifications

Gain
24 dBi
Frequency
2400 - 2490 MHz
Polarization
vertical or horizontal
Backward Radiation
n/a
Vertical Beamwidth
7°
Horizontal Beamwidth
10°
VSWR
1 to 1,5
Impedance
50 Ohm
Connector
N/Female type
Dimensions
610/1020 mm
Weight
3000 g
Mounting Kit
diameter 30-50 mm
Warranty
36 months



Mounting kit



Adjustment



antennas
2.4 GHz client